



DIGITAL SPA PACK OWNER'S MANUAL

**TO ENSURE THAT THE SYSTEM IS INSTALLED PROPERLY,
PROVIDE YOUR ELECTRICIAN WITH THESE INSTRUCTIONS**

To prevent potential injury and to avoid unnecessary service calls, read this manual carefully and completely.

⚠ CAUTION – We highly recommend a qualified professional install and service this product.

⚠ WARNING – This manual contains important safety information that must be furnished to the end user of this product. FAILURE TO READ AND FOLLOW ALL INSTRUCTIONS COULD RESULT IN SERIOUS INJURY.

SAVE THIS INSTRUCTION MANUAL

IT IS EXTREMELY IMPORTANT THAT YOU READ AND UNDERSTAND THE INSTALLATION INSTRUCTIONS BEFORE PROCEEDING. This will make the installation easier, quicker and most important safer.

If you have any technical questions please contact us:

Advantage Manufacturing
1-800-636-8866
info@advantageman.com
www.advantageman.com

SAFETY PRECAUTIONS

- These devices use high voltage and high current.
- **ELECTROCUTION** is possible if care is not taken.
- Disable the power supply (at the circuit breaker) when connecting or removing any wires to the terminal block and/or when plugging or unplugging any outboard components. This includes, but is not limited to pumps, blowers, ozone generators, stereo systems, topside controls, TV's, lights etc.
- Use a volt meter to verify that all power is disabled.
- Do not apply power to test or check any components, until all plumbing and electrical connections are made, the spa is completely filled, and the control box cover is secure. Powering up the spa will be the very last step.
- Do not stand in water or wet concrete when working on the spa equipment.
- It is extremely important that the ground connection is intact. This allows the GFCI circuitry to work properly.
- This control system must be hardwired to the electrical supply with a minimum #8 gauge wire.
- The only exception to this is a spa that is designed to operate on a 120 volt circuit.
- 120v powered spas must use a GFCI protected power cord.
- Do not use extension cords of any type.
- Contact your local electrical supplier if your current wiring is improper.

ELECTRICAL INSTALLATION

A qualified and licensed electrician in accordance with the National Electric Code (NEC) Article 680, Canadian Electric Code, and with any local codes must accomplish the electrical installation.

All connections must be made according to the electrical installation label on the control box. Follow the instructions from the label if they are different than the instructions in this manual. If your electrician is not absolutely sure how to connect your system correctly, call your local dealer. Any mistake may be costly and void your equipment warranty.

The GFCI (Ground Fault Circuit Interrupter) Is a mandatory electrical safety device required for all portable spas and hot tubs as specified in the National Electrical Code Article 680-42. The GFCI in your particular installation may be installed at the electrical service panel, a separate sub-panel or built into your Advantage System.

Your spa equipment requires a DEDICATED CIRCUIT. No other appliances or lights can be on this circuit. Refer to equipment data label for power supply requirements of your spa equipment.

Use copper conductors ONLY. The ground must be sized following the National Electric Code, Table 250-95.

For Power conductor size, refer to the National Electric Code Table 310-16.

NOTE: Due to the electrical requirements of some models, it may be required to SPLIT the incoming electrical service to accommodate the GFCI Circuit Breaker limits. Contact your electrician if you need additional information on this topic.

Circuit & Breaker Rating	15A	20A	30A	40A	50A	60A	70A	80A
Maximum Amps	12A	16A	24A	32A	40A	48A	56A	64A
Minimum Wire Size	14	12	10	8	6	4	4	4

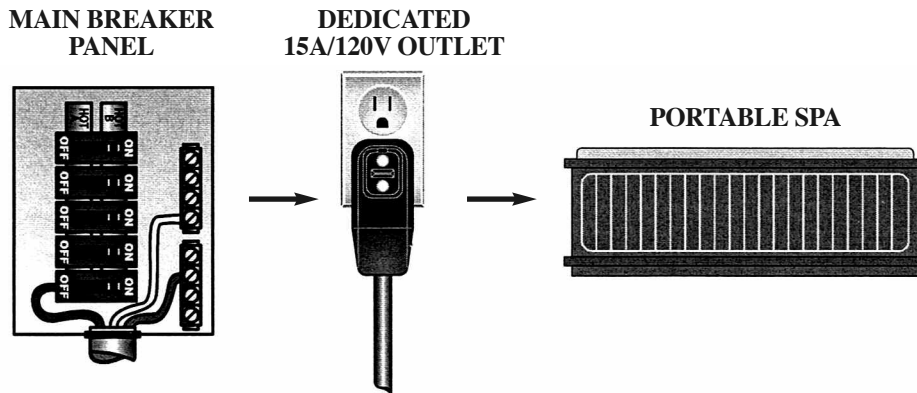
Universal Systems require a Neutral wire therefore the service required is as follows: 120-volt systems require a three-wire electrical service including ground, consisting of Line 1 (Black), Neutral (White) and Ground (Green). 240-volt systems require a four wire electrical service including ground, consisting of Line 1 (Black), Line 2 (Red), Neutral (White) and Ground (Green).

ELECTRICAL CONNECTIONS

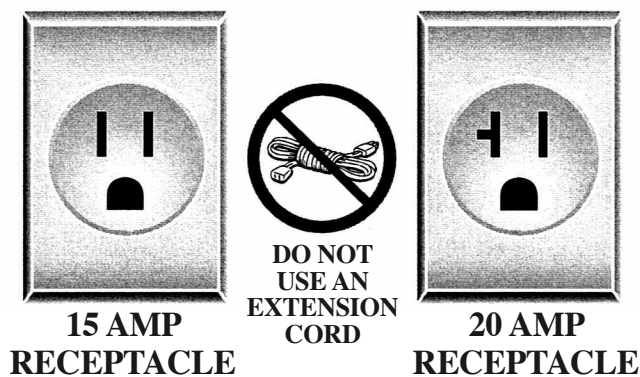
If your system was configured to include a 120VAC power cord, ensure that the proper receptacle has been installed (a dedicated circuit is required). **DO NOT** under any circumstances modify a 20 Amp plug to fit into a 15 Amp receptacle or use an extension cord. Doing so will create hazardous conditions and/or void the warranty.

OPTION 1 Units with 15A GFCI Plug Connection

20 AMP CORD-END GFCI



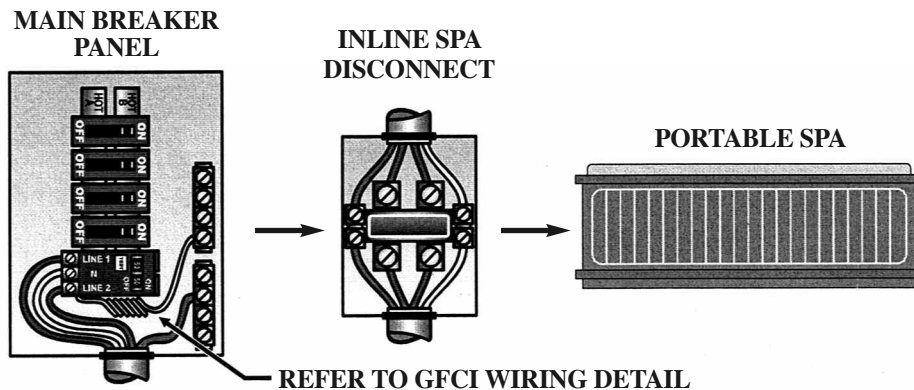
This illustration depicts a typical 20 AMP, cord-end GFCI installation. **(The spa must be installed on a dedicated circuit.)**



ELECTRICAL CONNECTIONS

OPTION 2 GFCI Installed in Main Service Panel

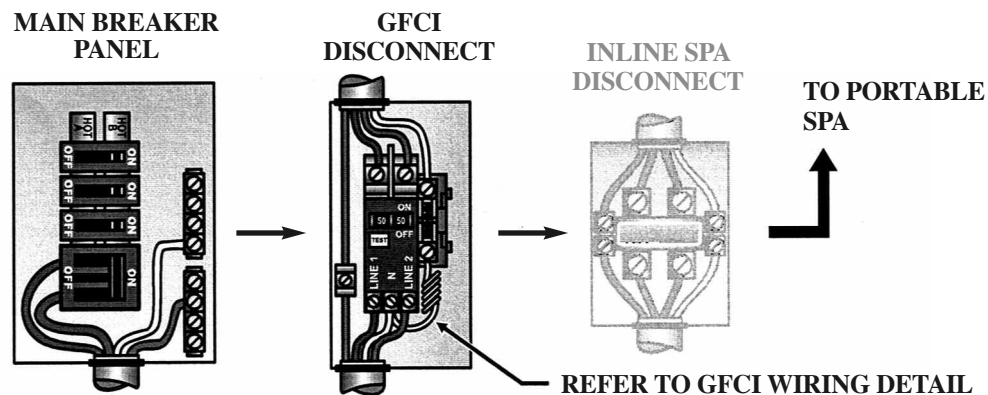
20-60AMP HARDWIRED



Power from GFCI breaker installed into main service panel to a service disconnect within line-of-site of the spa.

OPTION 2a SUBPANEL GFCI Installed

20-60AMP HARDWIRED



Power from main service panel to a GFCI subpanel within line-of-site of the spa. (Note: Most local codes will allow a GFCI subpanel to be a disconnect. If this is not the case in your installation, a disconnect must be provided.)

ELECTRICAL CONNECTIONS

 **IMPORTANT** – The NEC and most local codes require that a “disconnect” be installed within “line-of-site” of the spa.

ELECTRICAL INSTALLATION DETAILS

Refer to the System Data Label for equipment voltage and maximum amperage draws.

Install proper size Ground Fault Circuit Interrupter (GFCI) or circuit breaker, then proper sized wiring and bonding wire. For Power conductor size, refer to the National Electric Code Table 310-16. For Ground conductor size, refer to the National Electric Code Table 250-122.

A bonding lug has been provided on the control box to allow connection to local ground points. To reduce the risk of electrical shock, a solid copper bonding wire should be connected from this lug to any metal ladders, water pipes or other metal object within 5 feet of the spa.

 **WARNING** – BE SURE THAT YOUR POWER SUPPLY CIRCUIT CAN ADEQUATELY HANDLE THE AMPERAGE YOU SELECT.

The control input power wiring may have been provided. Following NEC and local codes in effect at the time of installation, connect (refer to wiring diagram located on the inside of control hinged cover) the Black wire to input Line 1, Blue wire to input Line 2 (if applicable), White wire to Neutral and the Green wire to ground.



PRODUCT REGISTRATION

(Retain For Your Records)



DATE OF INSTALLATION _____

INITIAL PRESSURE GAUGE READING (CLEAN FILTER) _____

PUMP MODEL _____ HORSEPOWER _____

FILTER MODEL _____

IMPORTANT SAFETY INSTRUCTIONS

When installing and using this electrical equipment, basic safety precautions should always be followed, including the following.

READ AND FOLLOW ALL INSTRUCTIONS.

⚠ DANGER – To reduce the risk of injury, do not permit children to use this product unless they are closely supervised by an adult at all times.

⚠ WARNING – RISK OF CHILDREN DROWNING. Extreme caution must be exercised to prevent unauthorized access by children. To avoid accidents, ensure that children cannot use a spa or hot tub unless they are supervised at all time.

⚠ DANGER – To reduce the risk of injury to persons, do not remove suction fittings.

INSTALLATION – Provide drainage ports wherever necessary.

HYPERTHERMIA – Prolonged immersion in water that is warmer than normal body temperature can result in a dangerous condition known as **HYPERTHERMIA**. The causes, symptom, and effects of hyperthermia may be described as follows - hyperthermia occurs when the internal temperature of the body reaches a level several degrees above normal body temperature of 98.6°F. The symptoms of Hyperthermia include dizziness, fainting, drowsiness, lethargy, and increase in the internal temperature of the body. The effects of Hyperthermia include (1) unawareness of impending hazard, (2) failure to perceive heat, (3) failure to recognize the need to exit the spa, (4) physical inability to exit the spa, (5) fetal damage in pregnant women and (6) unconsciousness resulting in a danger of drowning. **WARNING** – The use of alcohol, drugs, or medication can greatly increase the risk of fatal Hyperthermia in hot tubs and spas.

PRODUCT OVERVIEW

Digital Spa pack is an electronically controlled equipment designed to control spa (Hot tub) equipment.

Pack Consists of (But Not Limited To) electric heater, top side controller and control pack for controlling pumps, air blower, lights and other auxiliary equipment used in the operation of spas.

Primary function of pack is controlling water temperature.

Heater's electrical circuit is controlled by a pressure switch located within the heater assembly. Heater will operate only when the pressure switch is in the closed position indicating that water is flowing over the heating element.

Also, heater's electrical circuit is controlled by low speed of primary pump. Heater will operate only when the two conditions are present.

Digital spa pack has a high temperature safety limit and a freeze protect safety limit built in the pack's software logic.

When water temperature reaches 118°F the system will shut down.

The system can be manually reset only when water reaches temperature of 112°F. When water temperature reaches 45°F the system will automatically start primary pump and heater until water temperature will reach 52°F.

FREEZE PROTECT OVERRIDE (FPO)

The function is intended to be used on power-up or start-up after a fresh fill and will suspend the freeze protect feature for 6 hours in order to allow the installer to check for normal operation if the is filled with water at a temperature of less than the set freeze protect level.

By pressing **PUMP 1** and **LIGHT** keys simultaneously for 10 seconds the Freeze Protect feature will be suspended for 6 hours.

To manually go back to freeze protect mode just power down the system and re-boot.

GENERAL INFORMATION

Electronic Control

Digital Program R96

Part Number #D5500

Setup.....	LC	HC
Control.....	110	220
Jet 1 Red	110	220
Blower Blue	110	220
Ozone Pink	110	220
Jet 2 Orange	110	220
Heater	110	1.5Kw
Titanium	Yes	No
Heater	220	5.5Kw

GENERAL INFORMATION / SAFETY INSTRUCTIONS

Unit should be installed only in upright position.

When using this electrical equipment basic safety precautions should always be followed, including the following.

READ AND FOLLOW ALL INSTRUCTIONS

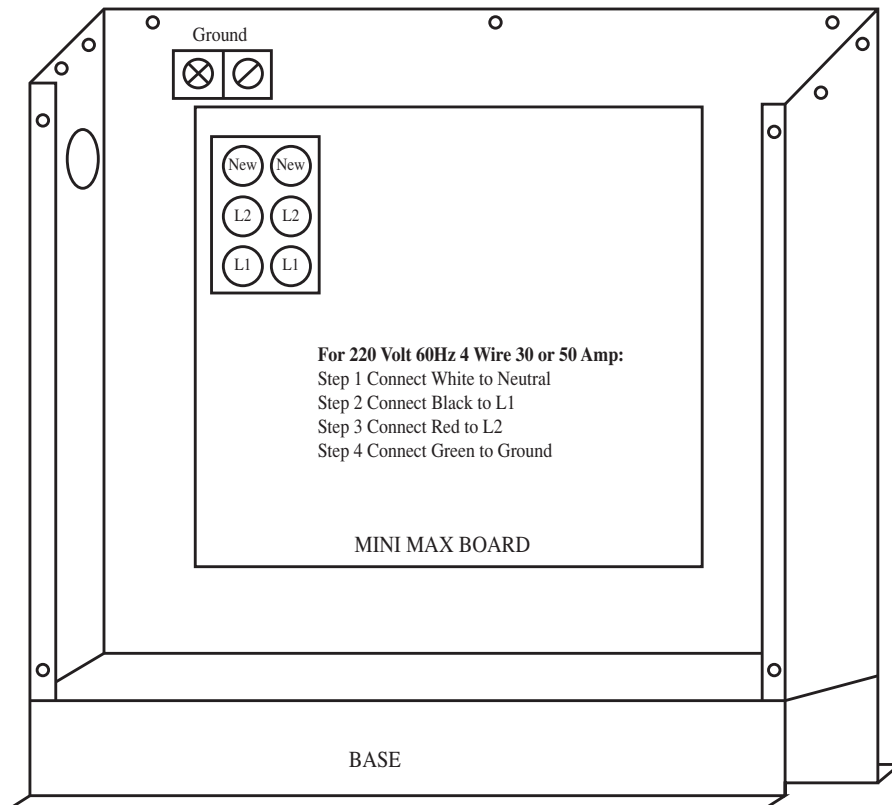
USE ONLY SOLD COPPER CONDUCTOR NIM. 6 AWG RATED AT 75°C.

All electrical connections should be accomplished by a qualified electrician in accordance with the National Electrical Code or Canadian Electrical Code.

The electrical supply for permanently connected units should be dedicated only to the spa Control box (not to be shared by any other electrical appliance) and must include a suitable rated Ground Fault Circuit Interrupter (GFCI) in compliance with the National Electrical Code.

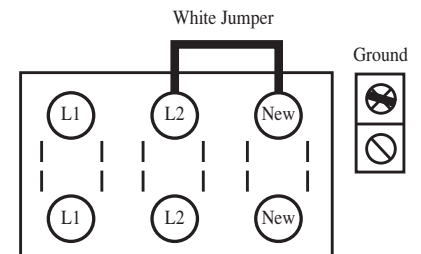
The Disconnecting means must be readily accessible to the tub occupant but installed at least 5 feet away from the tub.

Incoming Power 110V & 220V



Wire Size For 220 Volt #6 to #8 AWG
Wire Size For 110 Volt #12 AWG

To Change Control to 110 Volt:
Incoming Power Wire #12 AWG



For 110 Volt 60Hz 3 Wire 20 Amp
Step 1 Connect White to Neutral
Step 2 Connect White Jumper from Neutral to L2
Step 3 Connect Black L1
Step 4 Connect Green to Ground

⚠ CAUTION!! MUST BE CONNECTED BY A LICENSED ELECTRICIAN. NON-COMPLIANCE TO THE NATIONAL ELECTRICAL CODE WILL VOID YOUR WARRANTY.

GENERAL INFORMATION / SAFETY INSTRUCTIONS

A green colored terminal of a terminal marked G, GR, Ground, Grounding, Or the “G” Symbol is located inside the supply terminal box or compartment.

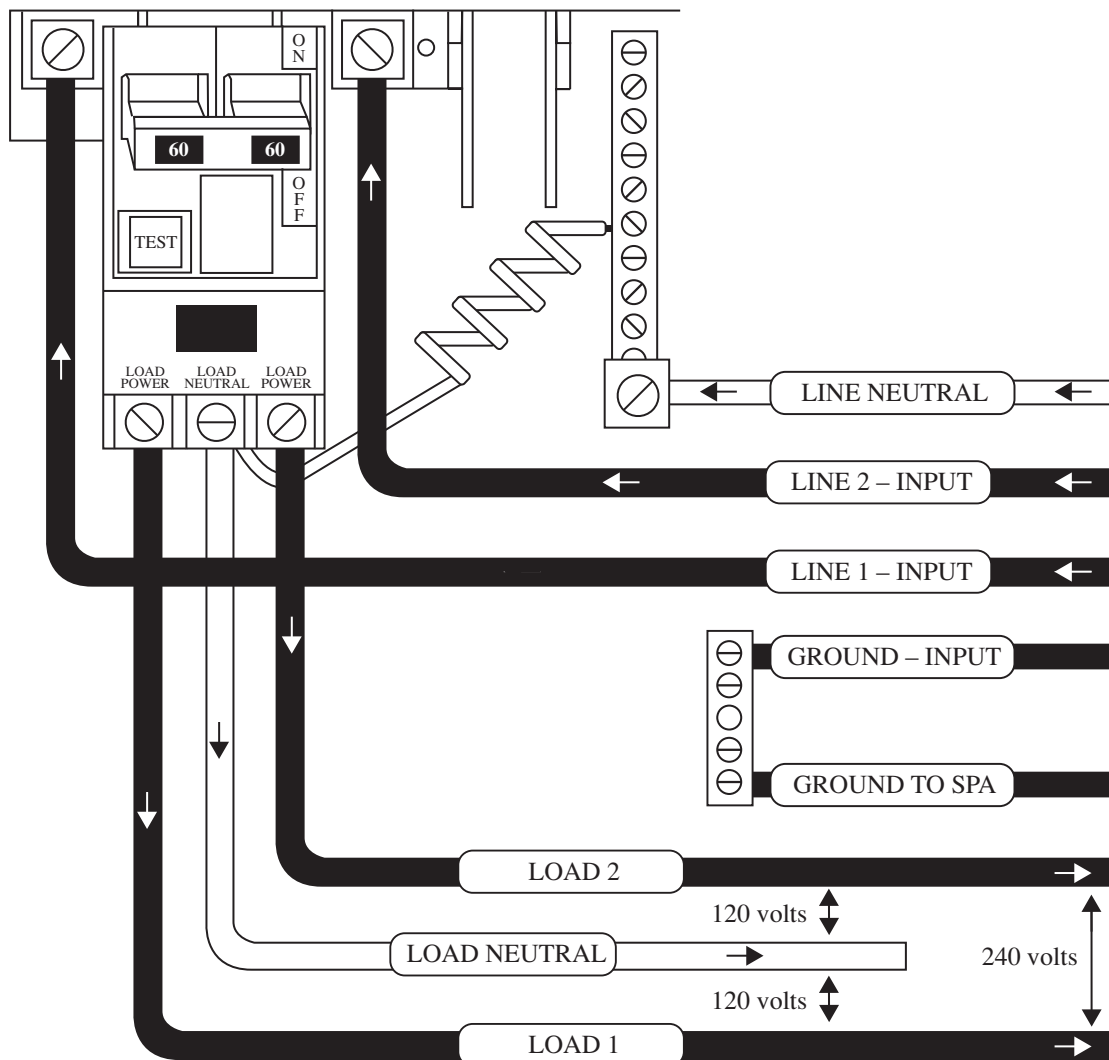
To reduce the risk of electric shock, this terminal must be connected to the grounding by Means provided in the electric supply service panel with a continuous copper wire equivalent in size to the circuit conductors supplied with this equipment.

A bus bar marked “**BONDING LUGS**” is provided on the external surface of the supply terminal box or compartment.

To reduce the risk of electric shock, connect the local common bonding grid in the area of the hot tub or spa to these terminals with an insulated or bare copper conductor not smaller than No.6 AWG.

SAVE THESE INSTRUCTIONS! POTENTIAL RISKS OF PERSONAL INJURY OR HEALTH HAZARDS MAY BE ASSOCIATED WITH USE OF EQUIPMENT!

Wiring a G.F.C.I Breaker



START UP AND OPERATION

Power up system and “PUR” is displayed on topside panel for 30 seconds while in purge mode. During purge cycle all devices connected to controller come on and the self diagnosis program. Checks for proper function of all components.

GENERAL SETUP

Press **HEAT** key and **LIGHT** key simultaneously and hold until display shows **LC (low current - 110V AC)** or **HC (High Current - 220V AC)**. Once the display shows any of these two messages you are in a closed loop for your personal preferences controller setup.

CURRENT VOLTAGE SELECTION (while in General Setup Mode)

Press **JET ONE** key (far left key on topside) to toggle between **LC** and **HC**.

PUMP #1 SETUP (while in General Setup Mode)

Press **HEAT** key to move to next level (Pump #1 setup) **P11**, **P12** or **P10** will show on Display. Select your preference according to your Pump#1 requirements:

P11 - Pump #1 Single Speed (each pressing of Pump 1 key will turn pump on or off)

P12 - Pump #1 Two Speed (each pressing of Pump 1 key will toggle between pump #1 low speed and high speed)

P10 - Pump #1 Two speed with pump OFF selection (first activation of pump 1 key will tum pump on low speed, second activation of pump 1 key will tum high speed on and third activation of pump 1 key will tum pump off. Cycle will repeat at the activation of pump 1 key on top side). Unit will run for only 30 minutes at a time on this setting.

(Pressing **HEAT** key will move system program to next level of setup)

PURGE CYCLE INTERVAL

Press **HEAT** to move to next level (Purge Interval Setup) **P6** or **P12** will show on topside display Select as follows:

P6 - Purge system every 6 hours.

P12 - Purge system every 12 hours.

Note: Purge Function is permanently programmed into controller’s memory and is necessary in order to insure proper operation of system. During the purge cycle all controller functions are tested for 30 seconds.

FILTRATION CYCLE DURATION

Press **HEAT** and **BLOWER** key simultaneously and hold to adjust filter cycle (automated operation necessary to keep spa water clean). Each number on display represents the number of hours the filter cycle will operate on 12 hours period (12 hours max).

START UP AND OPERATION

HOT TUB OPERATION

Press **JET ONE** key to activate Pump one (Primary pump that controls the heater also). Pump will operate for 30 minutes and will shut off automatically after 30 minutes unless key is activated again. Each time Jet One key is activated the timer resets.

Press **HEAT** key to adjust temperature. Press once and hold and will raise temperature. Press a second time and hold will lower temperature to a minimum of **70°F** (21°C). **Red LED** at the topside control will flash as long as heater is on.

Press **BLOWER** (bubbles) Key to activate Air Blower on/off.

Press **JET 2** key to activate secondary pump.

ERROR CODES

If tub water temperature reaches **112°F** the LED display will flush “**OH**” and shut the system down until the water temperature drops below **112°F**.

There is a third level of protection via a high limit relay that will trip at 118°F if this point is achieved the topside control will display “**HL**” (HIGH LIMIT) and the water temperature must cool to less than **112°F** for the system to reset. This is an unusual situation and we recommend to contact a certified spa technician to check for possible problems.

CARE INSTRUCTIONS

READ CAREFULLY – PROTECT YOUR WARRANTY

SPA WATER CARE

Changing water regularly and maintaining correct chemical balance will keep your spa safe and sanitary, and will protect your spa pack and its warranty coverage.

CHLORINE OR BROMINE – Recommended level 3 to 5 PPM TEST before use (every 2 hours during heavy use)

PH – Recommended level 7.4 to 7.6 High readings reduce sanitizer efficiency. Low readings are corrosive.

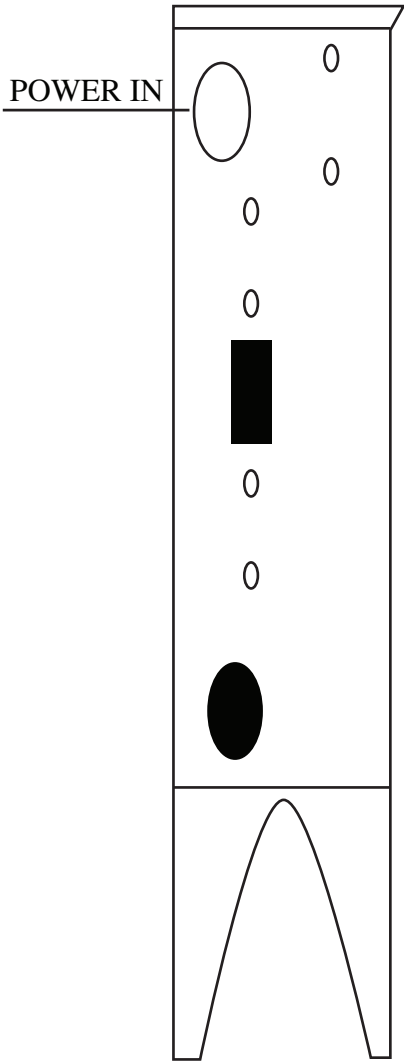
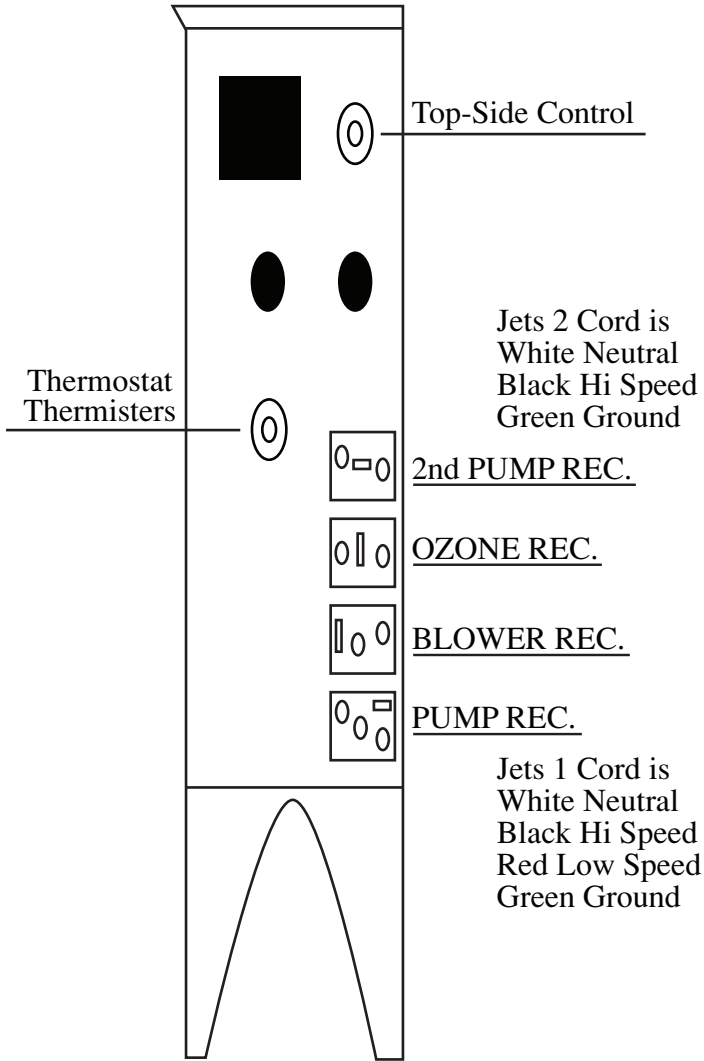
TOTAL ALKALINITY – 80 TO 100 PPM Test weekly during regular use. Low readings are corrosive and cause rapid PH changes when chemicals are added.

CALCIUM HARDNESS – 150 TO 300 PPM Test whenever spa is refilled. Low levels (soft water) can be very corrosive.

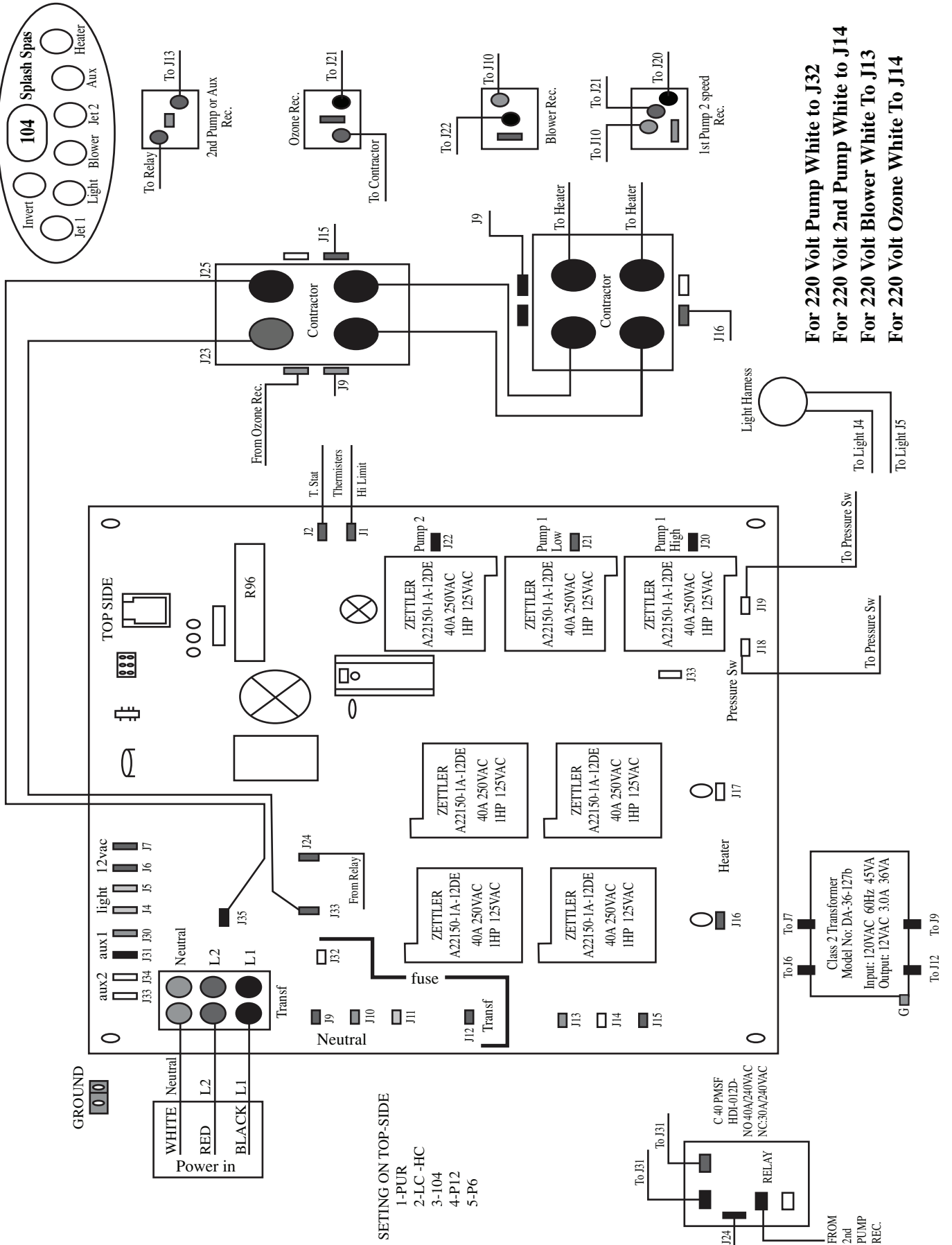
Remember, addition of any chemicals can change levels of chlorine PH and total alkalinity.

WHEN IN DOUBT, CHANGE THE WATER

DIGITAL SPA PACK – DIGITAL SIDE VIEW



DIGITAL SPA PACK - PART #D5500



For 220 Volt Pump White to J32
For 220 Volt 2nd Pump White to J14
For 220 Volt Blower White To J13
For 220 Volt Ozone White To J14

TROUBLESHOOTING

NO DISPLAY AT TOPSIDE

Check that connection to main board is clean and sound at **J8**.

Test a new topside control.

Check for 120V primary power going into the transformer and for 12V secondary power out of the transformer to **J6 & J7** on the board before replacing the transformer.

Replace board if there is 12V to **J6 & J7**.

DISPLAY FLASHES “TH 1/39” OR “__”

Check that temperature sensing probe connection to main board is clean and sound at location **J2**.

Try new temperature sensing probe.

DISPLAY FLASHES “TH 2/ CURRENT TEMPERATURE” OR “__”

Check that the temperature sensing probe connected to the main Board is clean and sound at location **J1**.

Try new temperature sensing probe.

DISPLAY FLASHES “TH 2/39” OR “__” ON SYSTEM STARTUP

This indicates that both thermisters are detecting tub water temperature of less than 39°F.

(4°C) or they are both disconnected (OPEN).

Pump(s) and blower will run in this condition.

DISPLAY FLASHES “OH” OR TEMPERATURE VALUE IS FLASHING

This indicates that the spa water temp is over 112°F the system should be shut down in this stat and will re-start automatically when the water cools below 112°F.

DISPLAY FLASHES “HL” OR TEMPERATURE VALUE IS FLASHING

This indicates that either the heater or the spa has reached 118°F or higher. The system will not restart automatically. To re-start the system the water temperature must be below 112°F and the heater key at the topside control must be pressed.

DISPLAY FLASHES “FLO”

This indicates flow water problem or defective pressure switch.

Check filter.

Check service valves are open.

Check for any obstruction of water flow.

DISPLAY FLASHES “FLC”

This indicates the pressure switch is stuck in the closed position Replace pressure switch.

ERRATIC OPERATION AT TOPSIDE PANEL

Check for proper connection at **J8**.

Shut off system and restart.

Check cable connection at the topside panel control housing.

Try new topside control.

Replace main PCB board.

NO HEAT

Make sure water temperature is below 112°F.

Check for flashing Led at topside control. This indicates the system is demanding for heat. Air pocket present in pressure switch. Remove air packet in pressure switch by slowly loosening heater pipe nut at the end further from pump. Make sure you don't open too much the nut. Only small amount of water should escape and then retighten nut. Repeat this operation 4-6 times in order to release all air trapped inside pressure switch.

Check pressure switch. Replace if defective.

OVERHEAT

If water temperature is too high and the high limit has tripped the water temperature must be allowed to drop below 112°F.

Water circulation is too low allowing the heater body to overheat. Check for water flow restrictions including water pump function.

1 YEAR LIMITED WARRANTY

CLAIMS: All claims must be made within ten (10) calendar days after receipt of the merchandise. If any shipment is Here received in a damaged condition, your claim must be filed with the delivering carrier and noted on the freight bill before you accept the merchandise.

RETURNS: All returns are subject to our written approval and must be accompanied by a "Return Goods Authorization" number obtained from APP prior to shipment. Unauthorized returns will not be accepted. Freight must be prepaid. Material returned for credit, if in original condition and resalable, is subject to a 20% handling charge.

TAXES: Any Federal or State Excise or Sales Tax for which APP may be liable on any sale will be charged to and paid by the buyer. Buyer is responsible for furnishing a resale certificate.

PRICES: Prices and Products are subject to change without notice.

LIMITED WARRANTY: To Buyer, as original purchaser of the Goods, APP warrants its products free from defects

in materials and workmanship for a period of one year from the date of purchase. Parts which fail or become defective during the warranty period, except as a result of freezing, negligence, improper installation, use or care, shall be repaired or replaced, at our option, within ninety (90) calendar days of the receipt of the defective product, barring unforeseen delays. To obtain warranty, replacements or repair, defective components or parts should be returned, transportation paid, to the place of purchase. No returns may be made directly to the factory without the express written authorization of APP. Pump housing/strainers which become defective during the warranty period, except as a result of freezing, negligence, improper installation, use or care, or as the result of use in association with an automatic valving system, shall be repaired or replaced, at APP's option, without charge. All other conditions and terms of the standard warranty apply. APP shall not be responsible for cartage, removal and/or re installation labor or any other cost incurred in obtaining warranty replacements. The foregoing warranty does not apply to components manufactured by others. For such products, the warranty established by the respective manufacturers will apply.

LIMITATION ON IMPLIED WARRANTIES: Implied warranties, including any warranty or merchantability imposed on the sale of the goods under state law, are limited to one year duration for the goods or any parts.

LIMITATIONS OF LIABILITY: THE ESSENTIAL PURPOSE OF THIS PROVISION IS TO LIMIT APP'S LIABILITY HEREUNDER. EXCEPT FOR BODILY INJURY OR DEATH OF A PERSON, UNDER NO CIRCUMSTANCES WILL APP, ITS EMPLOYEES, OFFICERS OR DIRECTORS, AGENTS, SUCCESSORS OR ASSIGNS, BE LIABLE TO ANYONE UNDER ANY PRODUCT ORDER, SCHEDULE OR TERMS AND CONDITIONS HEREIN, UNDER ANY CONTRACT, STRICT LIABILITY, TORT (INCLUDING NEGLIGENCE) OR OTHER LEGAL OR EQUITABLE THEORY, WHETHER OR NOT FORESEEABLE OR FORESEEN, FOR: (1) BUSINESS INTERRUPTION COSTS, COST OF REWORK, RETESTING, PROCUREMENT OF SUBSTITUTE GOODS, REMOVAL AND RE INSTALLATION OF GOODS; OR (2) ANY SPECIAL, INCIDENTAL, EXEMPLARY, INDIRECT OR CONSEQUENTIAL DAMAGES, INCLUDING WITHOUT LIMITATION LOST PROFITS, LITIGATION COSTS, LOSS OF EQUIPMENT, PRODUCTION OR PROFIT, GOODWILL, LOSS OF REVENUE, OR LOSS OF UNITS; COST OF RENTING REPLACEMENTS, AND OTHER ADDITIONAL EXPENSES, EVEN IF THE AP HAS BEEN ADVISED OF THE POSSIBILITY OF SUCH DAMAGES, THERE IS A TOTAL AND FUND A MENTAL

BREACH OF THIS AGREEMENT OR WHETHER ANY REMEDY PROVIDED.

HEREIN FAILS OF ITS ESSENTIAL PURPOSE. APP'S LIABILITY AND BUYER'S SOLE REMEDY, WHETHER IN CONTRACT, UNDER WARRANTY, IN TORT (INCLUDING NEGLIGENCE,) IN STRICT LIABILITY OR OTHERWISE, SHALL NOT EXCEED THE RETURN OF THE AMOUNT OF THE PURCHASE PRICE PAID BY BUYER AND SHIPMENT COSTS.

INDEMNIFICATION: Buyer will defend and indemnify APP and its directors, employees, agents, customers, end users, successors and assigns from and against all actual and alleged claims, liabilities, suits, damages, losses and expenses (including attorney's fees and legal costs) arising from, or caused in whole or in part, by buyers breach of any provision, term or condition of purchase.

BINDING EFFECT: All sales transactions are binding on APP and the buyer and their respective directors, officers, employees, agents, subcontractors, successors and permitted assigns.

GOVERNING LAW: All transactions will be interpreted and enforced under the laws of the State of California (including without limitation the Uniform Commercial Code as adopted by the California), without recourse to the conflict of laws provision thereof. In no event will the provisions of the UN Convention of the International Sale of Goods apply to any purchases. APP and buyer agree that any action or proceeding arising out of or in connection with any sale of product or service, will be brought exclusively to a court of competent jurisdiction in the County of Orange, State of California.

THE LIMIT OF LIABILITY FOR ANY CLAIMS SHALL NOT EXCEED THE AMOUNT PAID OR PREPAID ON ACCOUNT BY BUYER FOR THE GOODS GIVING RISE TO SUCH CLAIMS. BUYER SHALL BE DEEMED TO ASSUME ALL LIABILITY FOR ANY AND ALL DAMAGES ARISING FROM OR IN CONNECTION WITH THE USE OR MISUSE OF THE GOODS BY BUYER, ITS EMPLOYEES, CUSTOMERS AND OTHERS. SELLER SHALL NOT BE LIABLE FOR AND BUYER AGREES TO INDEMNIFY, DEFEND AND HOLD SELLER HARMLESS FROM ANY CLAIMS BASED ON SELLER'S COMPLIANCE WITH BUYER'S DESIGNS, SPECIFICATIONS OR INSTRUCTIONS, OR MODIFICATION OF ANY GOODS BY PARTIES OTHER THAN SELLER, OR USE IN COMBINATION WITH OTHER PRODUCTS. EACH PARTY RECOGNIZES AND AGREES THAT THE WARRANTY DISCLAIMERS AND LIABILITY AND REMEDY LIMITATIONS HEREIN ARE MATERIAL, BARGAINED FOR BASES OF ANY ORDER OR CONTRACT AND THAT THEY HAVE BEEN TAKEN INTO ACCOUNT AND REFLECTED IN DETERMINING THE CONSIDERATION TO BE GIVEN BY EACH PARTY UNDER ANY ORDER OR CONTRACT AND IN THE DECISION BY EACH PARTY TO ENTER INTO SUCH ORDER OR CONTRACT.

Copyright Notices: Polaris® is a registered trademark of Zodiac Pool Care, Inc., Letro® is a registered trademark of Letro Products, Sta-Rite® is a registered trademark of Sta-rite Industries, Hayward® is a registered trademark of Hayward Manufacturing Co., Inc., WhisperFlo® is a registered trademark of Pentair Pool and Spa, Inc., Noryl is a registered trademark of GE Plastics, Northstar™ is a trademark of Hayward Manufacturing Co., Inc., Cal Spas® is a registered trademark of California Acrylic Industries, Inc., Aquaflo® is the registered trademark of LSP Products Group, Inc., Vico® is a registered trademark of Vico Industries, Waterway® is a registered trademark of Waterway Plastics, Advantage Manufacturing™ is trademark of Advantage Manufacturing, Federal Copyright – Advantage Manufacturing ©2007.